

## PRE INSPECTION CHECKLIST

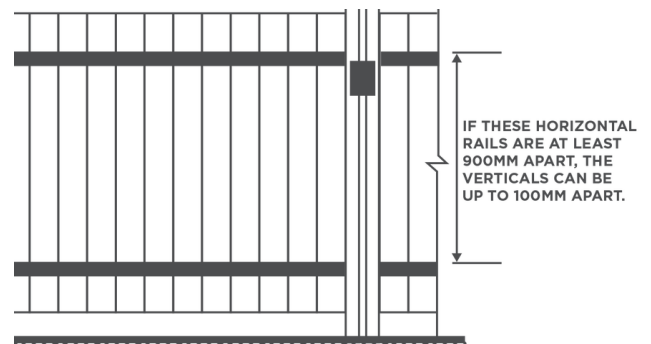
### Pool Register

- My pool is registered on the QBCC Pool Safety Register

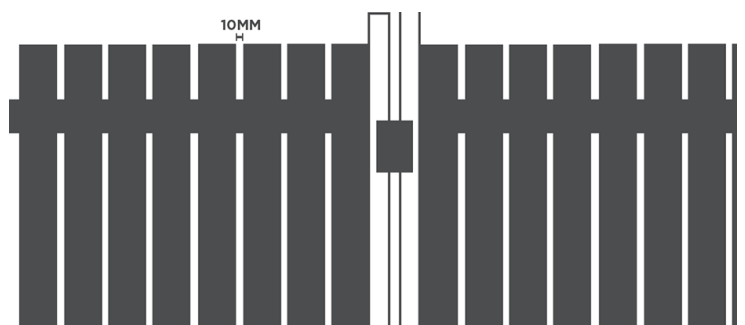
### Pool Fence

- My pool fence is at least 1200mm high.  
Note: Make sure you measure every section of your pool barrier around the full perimeter.
- The bottom of my pool fence and gate are no more than 100mm off the ground.  
Note: Make sure you measure gaps under your fence and gate in every section of your pool barrier around the full perimeter. Ensure the surface below the fence and gate are stable and solid.

- If the horizontal rails of my pool fence are 900mm or more apart, the gaps between the verticals of my pool fence are no more than 100mm wide.



- If the horizontal rails of my pool fence are less than 900mm apart, the gaps between the verticals of my pool fence are no more than 10mm wide and the external horizontal rails have a 60 degree timber wedge fillet attached.

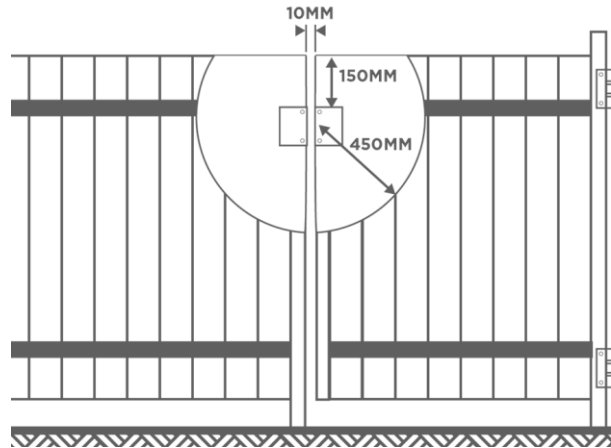


- All climbable objects are at least 900mm away from the fence on the outside, e.g. BBQs, trees, garden rocks, shrubs, pot plants and furniture
- There are no climbable objects within 300mm of my pool fence on the inside
- My pool fence is permanent and well maintained – it is rigid, fixed securely and there are no holes, broken rails or verticals

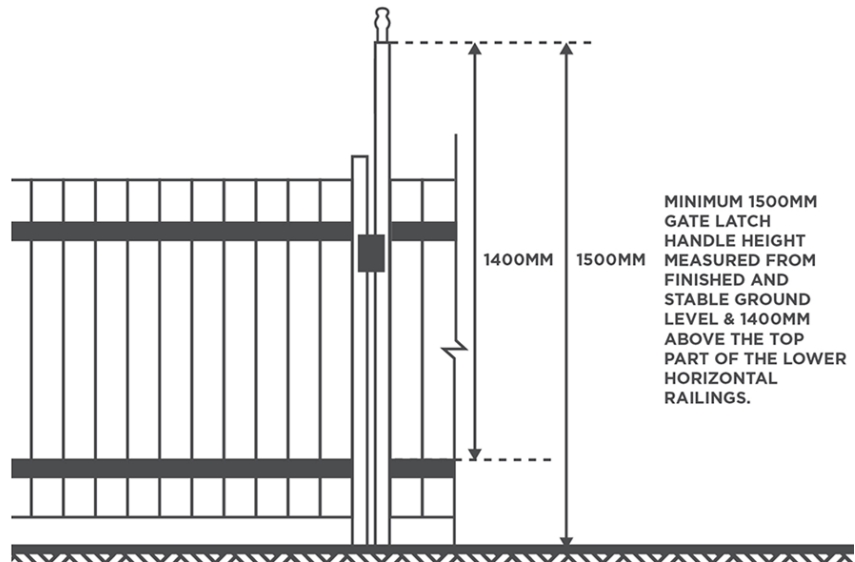
# Gate

- My pool gate opens outwards, away from the pool
- My pool gate self-closes and self-latches from any open position.  
 Note: Try a number of open positions to ensure the gate self closes securely from each position each and every time. Also ensure that the latch can't be pulled, pushed or jiggled open from a closed position.

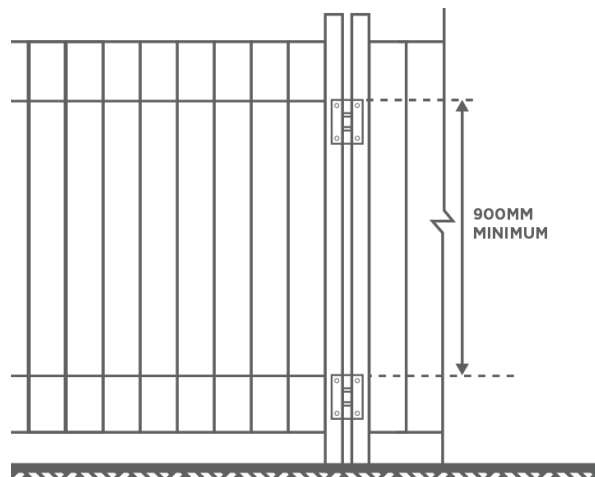
- If my gate latch is located on the inside of the gate, the latch is at least 150mm from the top of the fence and is covered with at least a 450mm radius shield.  
 Note: When the gate is in a closed position, there cannot be any gaps greater than 10mm within the 450mm shield.



- If my gate latch is not located on the inside of the gate, the latch is at least 1500mm above the ground and is also at least 1400mm above the top part of the lower horizontal railing.



- The hinges on my pool gate are at least 900mm apart or my lower hinge has a non-climbable safety cap affixed to it.  
 Note: Only relates to hinges that project 10mm or more as these would be climbable.



## CPR Sign

- I have a CPR sign prominently displayed in the pool area

## Doors & Windows

- I can't access my pool area directly from a door of my house
- If windows open into the pool area, they are not capable of opening wider than 100mm or they have a security screen fitted.

Note: Installing window locks is not acceptable as they can be easily left unlocked. Secure the window permanently so that it can never be opened any further than 100mm or install a fixed security screen that can only be removed with tools.

### **Note:**

This checklist is intended as guidance only. It covers the most common non-compliance issues. Use of this checklist does not guarantee that your pool is compliant with all relevant laws.

Brisbane Pool Certificates does not accept liability for any loss resulting from the use of, or reliance upon the information contained in this checklist.

[www.brisbanepoolcertificates.com.au](http://www.brisbanepoolcertificates.com.au)

[iain@brisbanepoolcertificates.com.au](mailto:iain@brisbanepoolcertificates.com.au)

0410 006 980

Licence number: PS15137374